



51997971
Edition 2
March 2008

PROMAXX™ Spike Driver

Models MX60-SD and MX90-SD

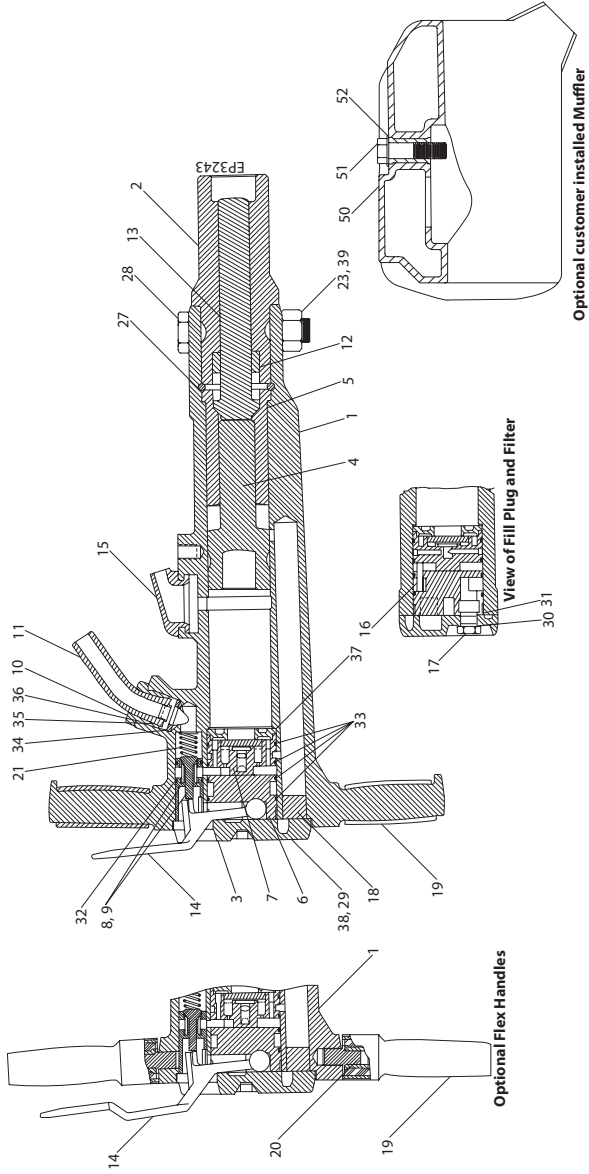
Parts Information



Save These Instructions

 **Ingersoll Rand**

Spike Driver Models MX60-SD and MX90-SD Sectional Illustration



(Dwg. 16607053)

Spike Driver Models MX60-SD and MX90-SD Parts List

Item	Part Description	Part Number	Remarks
1	Housing (1)	Not sold separately	MX60-SD Models
1	Housing (1)	Not sold separately	MX90-SD Models
2	Fronthead (1)	51986487	
3	Backhead (1)	51943447	
4	Piston (1)	51999720	MX60-SD Models
4	Piston (1)	51948388	MX90-SD Models
5	Seat, Piston (1)	52080751	MX60-SD Models
5	Seat, Piston (1)	51986677	MX90-SD Models
6	Plug, Housing (1)	51949857	
	Kit, Valve Chest (1)	51955391	MX90-SD Models
† 7	Assembly, Valve Chest (1)	51955417	
* 8	Body, Throttle (1)	Not sold separately	
* 9	Valve, Throttle (1)	Not sold separately	
	Kit, Valve Chest (1)	52082682	MX60-SD Models
‡ 7	Assembly, Valve Chest (1)	52080694	
8	Body, Throttle (1)	Not sold separately	
9	Valve, Throttle (1)	Not sold separately	
10	Cap, Air Connection (1)	51361798	
11	Nipple, Swivel (1)	51361863	
12	Damper (1)	51989598	
13	Block, Hammer (1)	51986495	
14	Lever, Throttle (1)	51943017	MX60/MX90-SD
14	Lever, Throttle (1)	51955565	MX60F/MX90F-SD
15	Deflector, Exhaust (1)	51729036	
† ‡ 16	Filter (1)	51945111	
17	Plug, Oil Fill (1)	51370203	
18	Plug, Rubber (1)	51983666	MX60-SD Models
18	Plug, Rubber (1)	51944007	MX90-SD Models
19	Sleeve, Handle (2)	51952869	MX60/MX90-SD
19	Handle, Flex (2)	51910255	MX60F/MX90F-SD
20	Connector, Flex Handle (2)	51913440	MX60F/MX90F-SD
* 21	Spring (1)	51368561	
23	Washer, Fronthead (1)	52080736	MX60-SD Models
23	Washer, Fronthead (1)	51378438	MX90-SD Models
27	Ring, Retaining (1)	51954337	MX60-SD Models
27	Retainer (1)	51955862	MX90-SD Models
28	Bolt, Fronthead (1)	95749537	MX60-SD Models
28	Bolt, Fronthead (1)	95379608	MX90-SD Models
29	Capscrew, Backhead (4)	95214995	
30	O-ring, Oil Fill Plug (1)	95209870	
† * ‡ 31	O-ring, Backhead (1)	95018107	
* 32	O-ring, Throttle Body (2)	95097705	
† ‡ 33	Seal (4)	03242559	
34	Strainer, Air (1)	51998367	
35	O-ring, Swivel Nipple (1)	95086161	
36	O-ring, Connection Cap (1)	95086112	
† ‡ 37	O-ring, Valve Cover (1)	95086583	
38	Washer, Backhead (4)	51948016	
39	Nut, Fronthead (1)	95477196	MX60-SD Models
39	Nut, Fronthead (1)	95471165	MX90-SD Models

NOTICE

- † These parts are included in Available Kits, Valve Chest Kit 51955391.
- * These parts are included in Available Kits, Throttle Valve Kit 51955375.
- ‡ These parts are included in Available Kits, Valve Chest Kit 52082682.

Optional Equipment (Furnished only when specially ordered)

Item	Part Description	Part Number	Remarks
50	Muffler (Furnished W/Bolt and Washer) (1)	51982148	MX60-SD MODELS
50	Muffler (Furnished W/Bolt and Washer) (1)	51953453	MX90-SD MODELS
51	Bolt, Muffler (1)	95054144	
52	Washer, Muffler (1)	51948016	
	Lubricator, In-line (1)	35364322	

Available Kits (Furnished only when specially ordered)

Item	Part Description	Part Number	Remarks
	Kit, Valve Chest (1)	51955391	MX90-SD MODELS
	Kit, Valve Chest (1)	52082682	MX60-SD MODELS
	Kit, Throttle Valve (1)	51955375	

Lubrication (Furnished only when specially ordered)

Item	Part Description	Part Number	Remarks
	Rock Drill Oil (Light) (1 Gal)	51378701	
	Rock Drill Oil (Light) (5 Gal)	51378727	
	Rock Drill Oil (Light) (55 Gal)	51378743	

Parts and Maintenance

When the life of the tool has expired, it is recommended that the tool be disassembled, degreased and parts be separated by material so that they can be recycled.

Tool repair and maintenance should only be carried out by an authorized Service Center.

Refer all communications to the nearest **Ingersoll Rand** Office or Distributor.

Related Documentation

For additional information refer to:

Product Safety Information Manual 04581450.

Product Information Manual 51998326.

Maintenance Information Manual 51998342.

Manuals can be downloaded from www.irtools.com.

Notes:

Notes:

Notes:

www.irttools.com

© 2008 **Ingersoll Rand** Company

